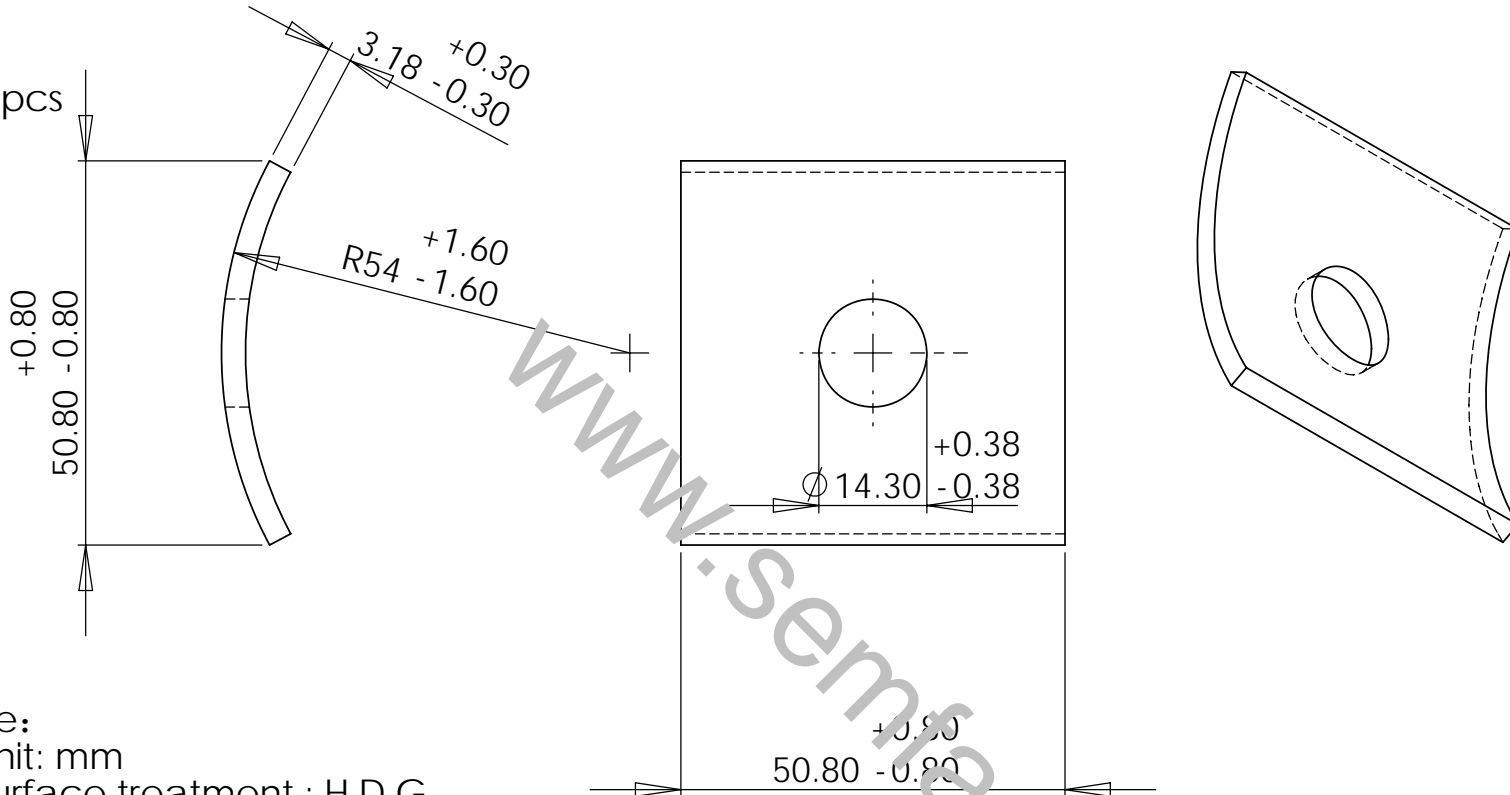


Qty: 2000 pcs



Note:

- 1, Unit: mm
- 2, Surface treatment : H.D.G
- 3, Material: Mild steel (low carbon steel)
- 4, Remove all sharp edges and burrs
- 5, All dimension marked after H.D.G

PROPRIETARY AND CONFIDENTIAL THE INFORMATION CONTAINED IN THIS DRAWING IS THE SOLE PROPERTY OF FINEXPRESS FASTENER CO.,LTD. ANY REPRODUCTION IN PART OR AS A WHOLE WITHOUT THE WRITTEN PERMISSION OF FINEXPRESS FASTENERS CO.,LTD. IS PROHIBITED.			UNLESS OTHERWISE SPECIFIED:		NAME	DATE	TITLE: SEM FASTENER LTD <table border="1" style="width: 100%; border-collapse: collapse;"> <tr> <td style="width: 15%;">SIZE</td> <td style="width: 55%;">DWG. NO</td> <td style="width: 30%;">REV</td> </tr> <tr> <td style="text-align: center; font-size: 24px;">A</td> <td style="text-align: center; font-size: 24px;">2*2 CW</td> <td></td> </tr> </table>	SIZE	DWG. NO	REV	A	2*2 CW	
	SIZE	DWG. NO	REV										
	A	2*2 CW											
			DIMENSIONS ARE IN MMS	DRAWN	Marine	Aug 8,08							
				CHECKED	沈工	Aug 8,08							
			ENG APPR.										
			MFG APPR.										
			INTERPRET GEOMETRIC TOLERANCING PER:	Q.A.	朱文良	Aug 8,08							
			MATERIAL	COMMENTS: The drawing will be valid immediately after client's confirmation.									
			Mild steel										
NEXT ASSY	USED ON		FINISH				See notes						
APPLICATION		DO NOT SCALE DRAWING			SCALE: 1:1	SHEET 1 OF 1							

5

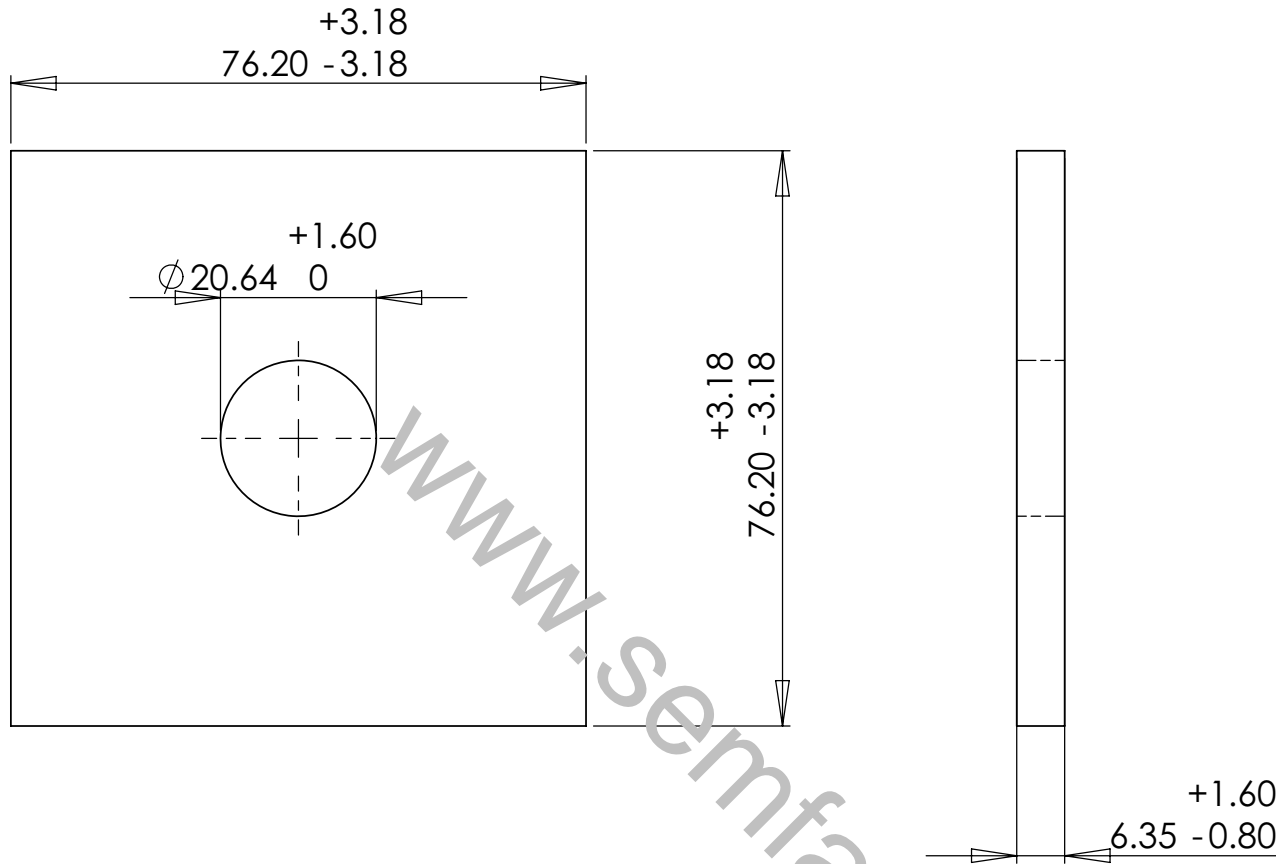
4

3

2

1

Qty:8000pcs



- Note:
- 1, Unit: mm
 - 2, Surface treatment : H.D.G
 - 3, Material: Mild steel (low carbon steel)
 - 4, Remove all sharp edges and burrs
 - 5, All dimension marked after H.D.G

PROPRIETARY AND CONFIDENTIAL THE INFORMATION CONTAINED IN THIS DRAWING IS THE SOLE PROPERTY OF FINEXPRESS FASTENER CO.,LTD. ANY REPRODUCTION IN PART OR AS A WHOLE WITHOUT THE WRITTEN PERMISSION OF FINEXPRESS FASTENERS CO.,LTD. IS PROHIBITED.			UNLESS OTHERWISE SPECIFIED:	NAME	DATE	TITLE: SEM FASTENER LTD		
			DIMENSIONS ARE IN MMS	DRAWN	Marine		Aug 27,08	
				CHECKED	沈工		Aug 27,08	
				ENG APPR.				
				MFG APPR.				
		INTERPRET GEOMETRIC TOLERANCING PER:	Q.A.	朱文良	Aug 27,08			
		MATERIAL	COMMENTS: The drawing will be valid immediately after client's confirmation.			SIZE	DWG. NO	REV
		Mild steel				A	3*3 SW	
NEXT ASSY	USED ON	FINISH				SCALE: 1:1		SHEET 1 OF 1
APPLICATION		DO NOT SCALE DRAWING						

5

4

3

2

1