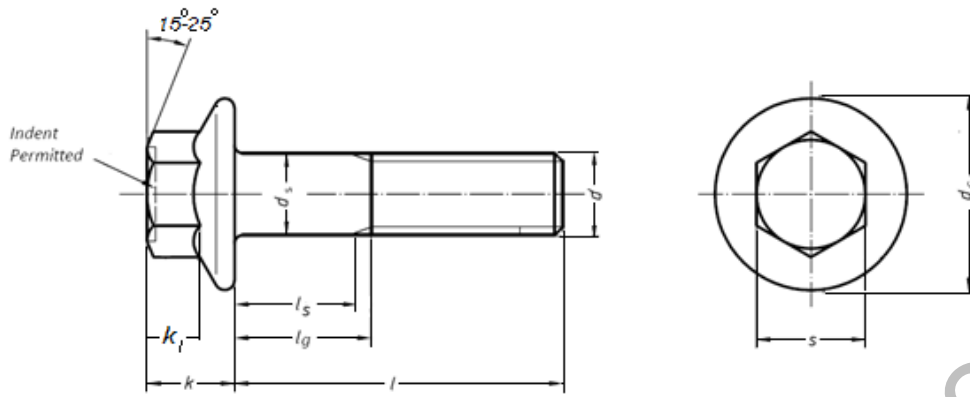


Flange Bolts



d	s		dc	ds		k	k1
	min.	max.	max.	min.	max.	max.	min.
M5	7.78	8	11.8	4.82	5	5.4	2
M6	9.78	10	14.2	5.82	6	6.6	2.5
M8	12.73	13	18	7.78	8	8.1	3.2
M10	14.73	15	22.3	9.78	10	9.2	3.6
M12	15.73	16	26.6	11.73	12	11.5	4.6
M14	17.73	18	30.5	13.73	14	12.8	5.1
M16	20.67	21	35	15.73	16	14.4	5.8
M20	26.67	27	43	19.67	20	17.1	6.8

Thread d			M5		M6		M8		M10		M12		M14		M16		M20											
l			ls	lg	ls	lg	ls	lg	ls	lg	ls	lg	ls	lg	ls	lg	ls	lg										
nom.	min.	max.	min.	Max.	min.	Max.	min.	Max.	min.	Max.	min.	Max.	min.	Max.	min.	Max.	min.	Max.										
10	9.71	10.29	ft	2.4	ft	3	4	ft	4.5	5.3	6	6	ft	6	6	ft	6	7.5										
12	11.65	12.35		2.4															3	4	4.5	5.3	6	6	6	6	7.5	
16	15.65	16.35		2.4															3	4	4.5	5.3	6	6	6	6	6	7.5
20	19.58	20.42		4															3	4	4.5	5.3	6	6	6	6	6	7.5
25	24.58	25.42	5	9	2	7	4	ft	4.5	5.3	6	6	6	6	6	6	6	7.5										
30	29.58	30.42	10	14	7	12	8	ft	4.5	5.3	6	6	6	6	6	6	6	7.5										
35	34.5	35.05	15	19	12	17	6.75	13	9	5.3	6	6	6	6	6	6	6	7.5										
40	39.5	40.5	20	24	17	22	11.75	18	6.5	14	10	ft	6	6	6	6	6	7.5										
45	44.5	45.5	25	29	22	27	16.75	23	11.5	19	6.25	15	6	16	ft	6	6	7.5										
50	49.5	50.5	30	34	27	32	21.75	28	16.5	24	11.25	20	6	16	ft	12	ft	7.5										
55	54.4	55.6	b	b	32	37	26.75	33	21.5	29	16.25	25	11	21	7	17	ft	6.5										
60	59.4	60.6			37	42	31.75	38	26.5	34	21.25	30	16	26	12	22			14									
65	64.4	65.6			36.75	43	31.5	39	26.25	35	21	31	17	27	12	22			14									
70	69.4	70.6			41.75	48	36.5	44	31.25	40	26	36	22	32	12	22			14									
80	79.4	80.6			51.75	58	46.5	54	41.25	50	36	46	32	42	12	22			14									
90	89.3	90.7			56.5	64	51.25	60	46	56	42	52	31.5	44	12	22			14									
100	99.3	100.7			66.5	74	61.25	70	56	66	52	62	41.5	54	12	22			14									
110	109.3	110.7			71.25	80	66	76	62	72	51.5	64	12	22	14	14			14									
120	119.3	120.7			81.25	90	76	86	72	82	61.5	74	12	22	14	14			14									
130	129.2	130.8			b	b	b	b	b	b	b	b	b	b	b	b			b	b	b	b						
140	139.2	140.8	80	90													76	86					65.5	78				
150	149.2	150.8	90	100													86	96					75.5	88				
160	159.2	160.8	96	106													85.5	98										
180	179.2	180.8	106	116													95.5	108										
200	199	201	115.5	128																								
			135.5	148																								

ft = fully threaded; b = a grip length maximum, when subtracting the nominal thread length (b) from the overall length.

Specification Requirements:

- Dimensions: DIN 6921
- Threads: 6g
- Material & Mechanical Properties: ISO 898-1